

REVISIONS			
REV 0	PRELIMINARY NOT FOR CONSTRUCTION	01/07/2016	



ELEVATION VIEW

The configurations shown are considered typical and for budgetary purposes only. Please rely on your engineer for specific design recommendations. Because of the complexity of geotechnical loading calculations and the susceptibility to extreme change of soil loads with minor changes in local site conditions such as soil parameters, water levels, surcharge loads, etc., we strongly recommend the use of design professionals who are familiar with local wall construction to determine the required sheet piling and component capacities. The material contained within this drawing is not to be used for any project specific design.



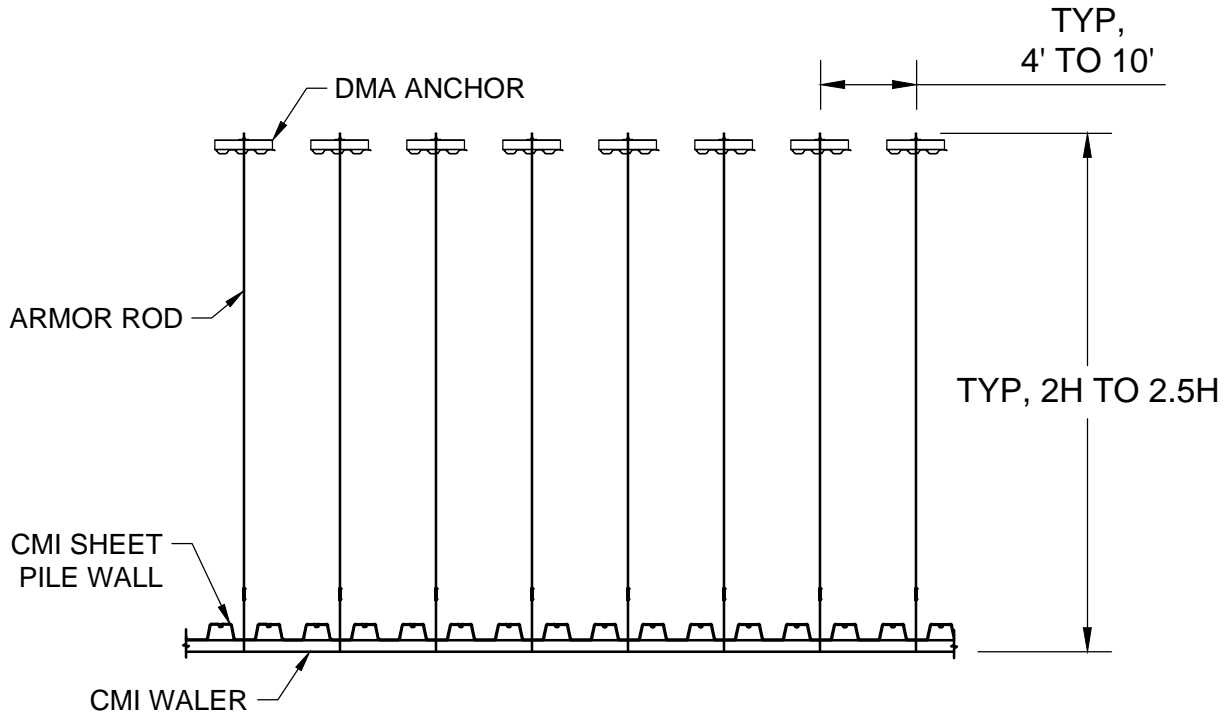
1165 Northchase Pkwy SE, Suite 300  
 Marietta, GA 30067  
 P:770.850.4909 | F:770.933.8363  
 info@cmlc.com | www.cmlc.com

Elevation View

SIZE	DATE	FILE	REV
A	01/07/2016	DROP WALE SHEET PILE WALL	0
SCALE	N.T.S.	DRAWN VRP	SHEET 1 OF 3

REVISIONS

REV 0	PRELIMINARY NOT FOR CONSTRUCTION	01/07/2016
-------	----------------------------------	------------



PLAN VIEW

The configurations shown are considered typical and for budgetary purposes only. Please rely on your engineer for specific design recommendations. Because of the complexity of geotechnical loading calculations and the susceptibility to extreme change of soil loads with minor changes in local site conditions such as soil parameters, water levels, surcharge loads, etc., we strongly recommend the use of design professionals who are familiar with local wall construction to determine the required sheet piling and component capacities. The material contained within this drawing is not to be used for any project specific design.

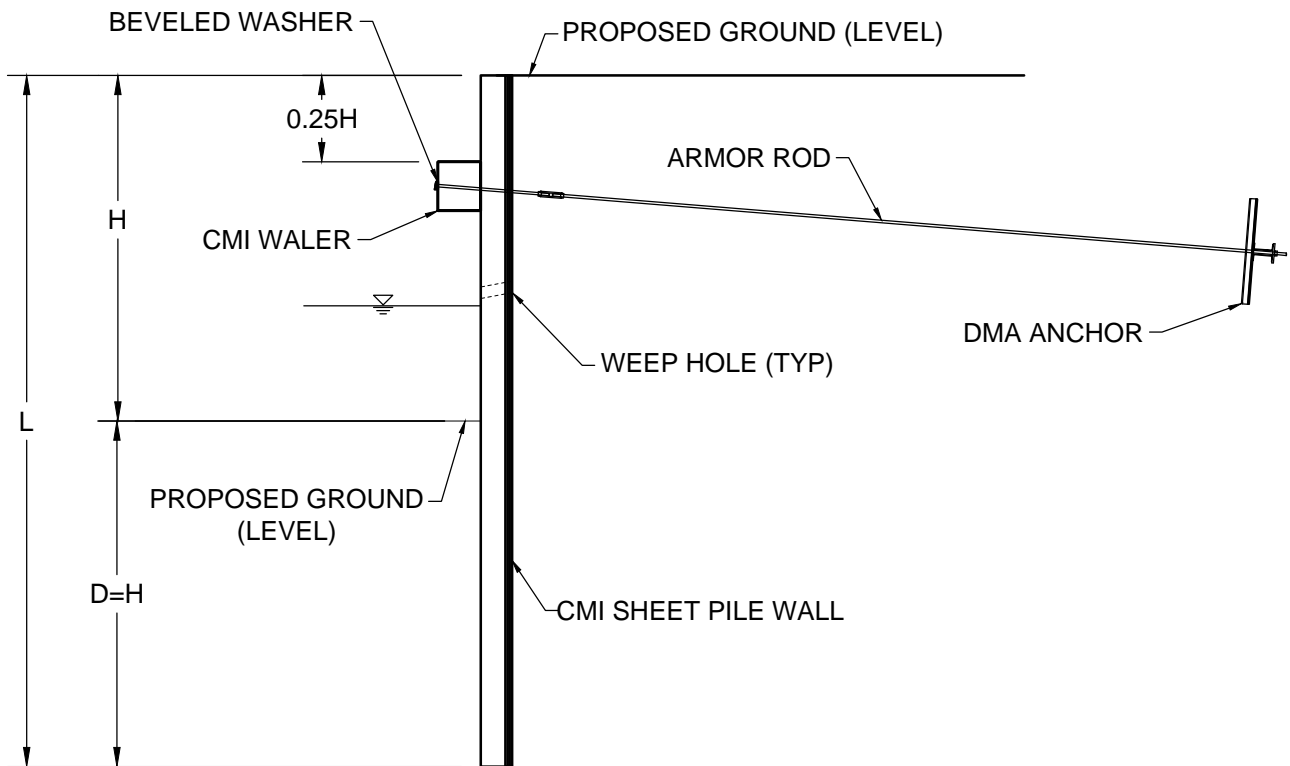


1165 Northchase Pkwy SE, Suite 300  
 Marietta, GA 30067  
 P:770.850.4909 | F:770.933.8363  
 info@cmilc.com | www.cmilc.com

Plan View

SIZE	DATE	FILE	REV
A	01/07/2016	DROP WALE SHEET PILE WALL	0
SCALE	N.T.S.	DRAWN VRP	SHEET 2 OF 3

REVISIONS			
REV 0	PRELIMINARY NOT FOR CONSTRUCTION	01/07/2016	



TYPICAL CROSS-SECTION

The configurations shown are considered typical and for budgetary purposes only. Please rely on your engineer for specific design recommendations. Because of the complexity of geotechnical loading calculations and the susceptibility to extreme change of soil loads with minor changes in local site conditions such as soil parameters, water levels, surcharge loads, etc., we strongly recommend the use of design professionals who are familiar with local wall construction to determine the required sheet piling and component capacities. The material contained within this drawing is not to be used for any project specific design.



1165 Northchase Pkwy SE, Suite 300  
 Marietta, GA 30067  
 P:770.850.4909 | F:770.933.8363  
 info@cmlc.com | www.cmlc.com

### Typical Cross-Section

SIZE	DATE	FILE	REV
A	01/07/2016	DROP WALE SHEET PILE WALL	0
SCALE	N.T.S.	DRAWN VRP	SHEET 3 OF 3